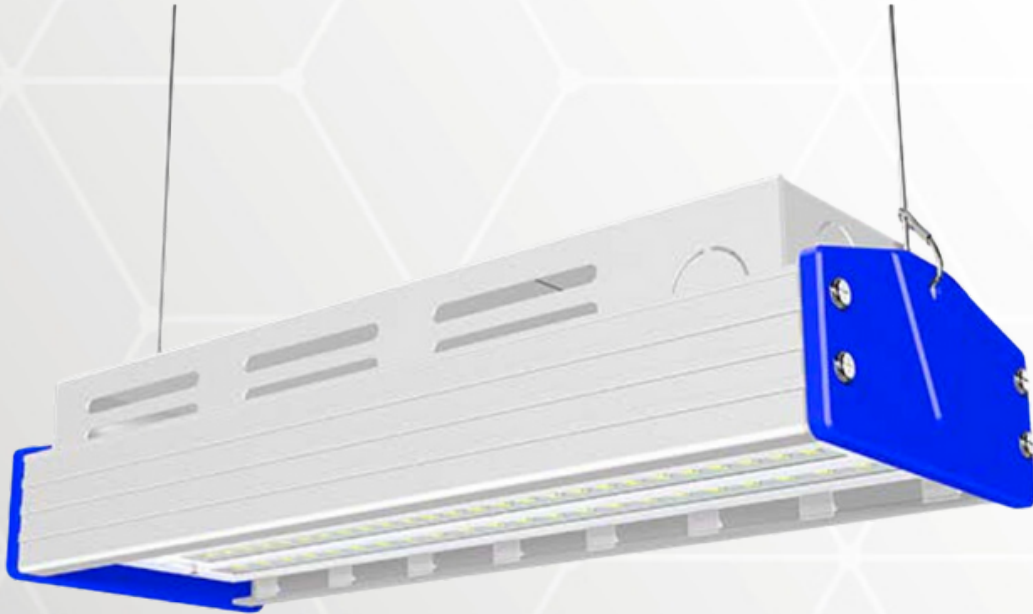


ARTEMIS LINEAR 50W



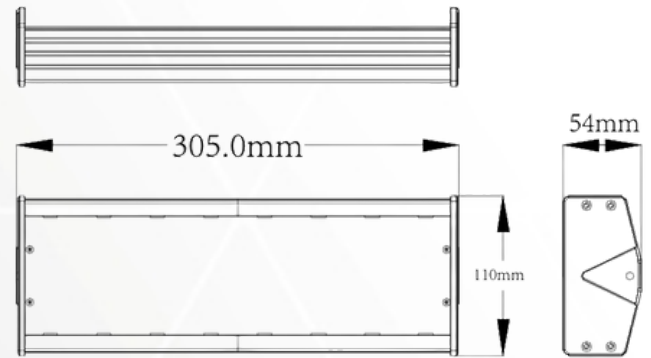
Artemis Flood Lighting Series: A Revolution in Modular Illumination

The Artemis series redefines lighting solutions with its modular and versatile design, prioritizing both optimal performance and maintenance ease. Artemis units offer easy interchangeability of modules, allowing for hassle-free replacement and quick maintenance. With the additional flexibility to tailor optics and kelvin colors for each module, the Artemis series provides unparalleled versatility to meet the unique needs of any environment.

TECHNICAL DATA

Model Number	Artemis Linear 50
Power	50W
Luminous Efficacy	152lm/W
Lumen Output	7600lm
LED Quantity	84pcs
Dimension	305 x 110 x 54mm (12 x 4 x 2)
Beam Pattern	3000k, 4000k, 5000k, 6000k(Custom Option)
CRI	>80Ra
System Efficiency	≥90%
Beam angle	60°/90°/120°

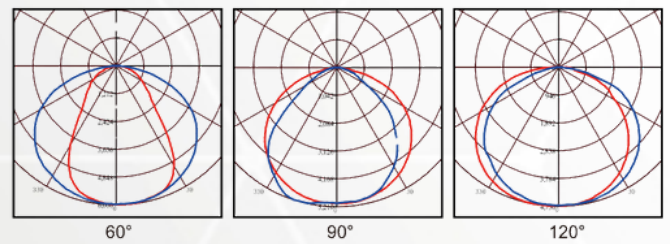
PRODUCT DIMENSIONS



ELECTRICAL DETAILS

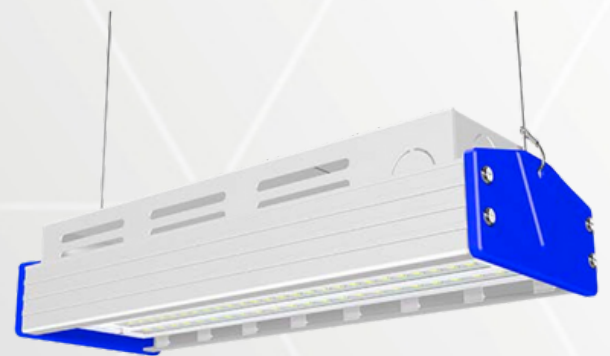
Input Voltage	AC100-277 (347V/480V-option)
Power Frequency	50-60Hz
Output Voltage	DC36-48V
Power Efficiency	>92%
Power Factor	≥0.95
Total Harmonic Distortion	≤15%
Dimmable	Yes (optional)

PHOTOMETRICS



OTHER DETAILS

IP Rating	IP54
Lifespan	100,000+ Hours
Storage Temperature	-20°~65°C
Operating Temperature	-40°~55°C
Luminaire Net Weight	1.4 KG (3lbs)
Certification	UL, DLC, PREMIUM, IK10
Color of housing	Blue+white (customized)



CERTIFICATIONS



ORDERING SHEET

PRODUCT	VOLTAGE	BEAM PATTERN	LENS	COLOR (CCT)	APPLICATION	LENS COVER
Artemis Linear 50w	1. 110-277VAC	1. 60°	Standard	1. 3000K	1. IP54	1. None
	2. 347/480	2. 90°		2. 4000K		2. Yes*
	3. 24VDC*	3. 120°		3. 5000K		
				4. 6000K		

* additional cost and lead time may apply