

# R Series



## LED Explosion Proof Light



### Certifications:

◆ ATEX Marking:



II 2GD

Ex db eb mb IIC T6/T5 Gb

Ex tb IIIC T80°C/T95°C Db IP66

◆ IECEx Marking:

Ex db eb mb IIC T6/T5 Gb

Ex tb IIIC T80°C/T95°C Db IP66

◆ IP66

◆ UL 1598 Suitable for Wet Locations

◆ UL844 Hazardous Locations (North American):

Class I, Division 2, Groups A, B, C, D

Class II, Division 1, Groups E, F, G

Class II, Division 2, Groups F, G

Class III

◆ Ambient Temperature:

Normal: -40°C to +45°C/60°C (-40°F to 113°F/140°F)

Emergency: -10°C to +45°C/60°C (14°F to 113°F/140°F)

### Applications:

◆ Oil and gas industry

◆ Chemical industry

◆ Metal treatment

◆ Ocean, marine and aerospace field

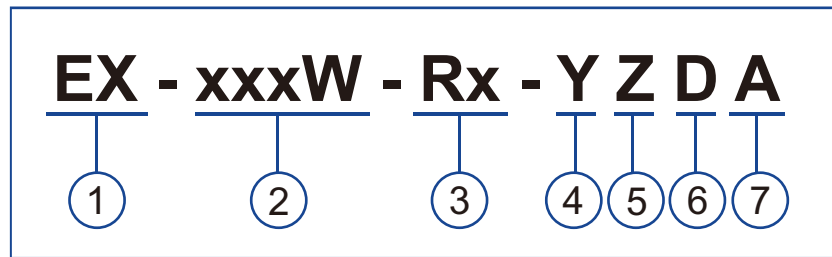
◆ Food and alcohol industry

◆ Other high humidity, high dust, high temperature, vapor locations

## Key Features:

- ① Backup battery is optional.
- ② AC or DC power supply is available.
- ③ Stainless-steel body and PC cover.
- ④ Heavy-duty and high impact resistance.
- ⑤ High-quality SMT LED and Meanwell driver.
- ⑥ Water-proof, vapor-proof, dust-proof, and corrosion resistant.
- ⑦ 5-year warranty.

## Catalog Number Logic:



- |   |   |   |
|---|---|---|
| <p>① <b>PRODUCT CATEGORY</b></p> <ul style="list-style-type: none"> <li>◆ Explosion proof light</li> </ul>                              | <p>② <b>WATTAGE</b></p> <ul style="list-style-type: none"> <li>◆ 20W    ◆ 30W    ◆ 40W</li> <li>◆ 50W    ◆ 60W</li> </ul> | <p>③ <b>PRODUCT SERIES</b></p> <ul style="list-style-type: none"> <li>◆ R2</li> <li>◆ R4</li> </ul> |
| <p>④ <b>DIMMING FUNCTION</b></p> <ul style="list-style-type: none"> <li>◆ Y=D: Dimmable</li> <li>◆ Y=N: Non-dimmable</li> </ul>         | <p>⑤ <b>CCT</b></p> <ul style="list-style-type: none"> <li>◆ 2200K-7000K</li> </ul>                                       | <p>⑥ <b>BEAM ANGLE</b></p> <ul style="list-style-type: none"> <li>◆ D120= 120°</li> </ul>           |
| <p>⑦ <b>PC COVER INFORMATION</b></p> <ul style="list-style-type: none"> <li>◆ A=C: Clear cover</li> <li>◆ A=F: Frosted cover</li> </ul> |   |   |

## Technical Data:

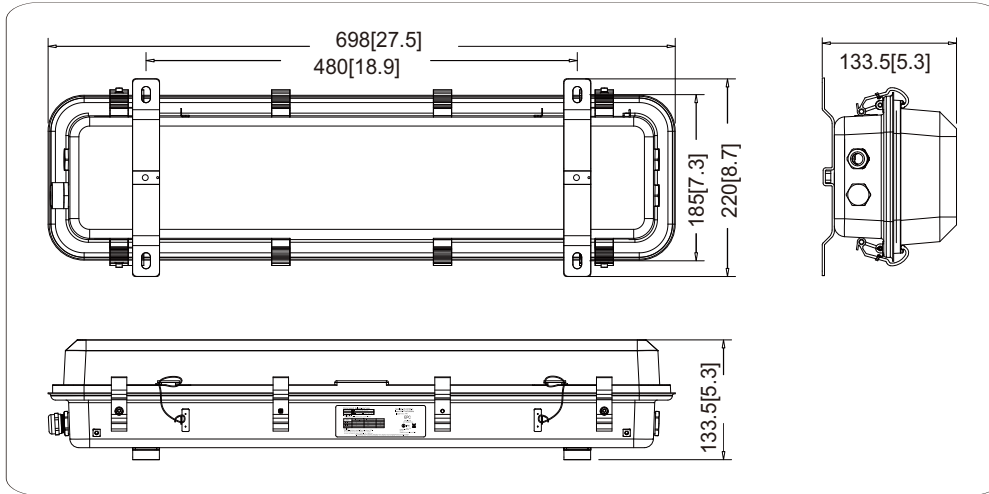
Model	Wattage	Operating Voltage	Efficacy (lm/W)	Total Lumens (lm)	CRI	CCT
EX-20W R2YZDA	2×10W/2ft	AC100-277/220-480V	140	2,800	>70	2200K-7000K
EX-30W R2YZDA	2×15W/2ft	AC100-277/220-480V	140	4,200	>70	2200K-7000K
EX-40W R4YZDA	2×20W/4ft	AC100-277/220-480V	140	5,600	>70	2200K-7000K
EX-50W R4YZDA	2×25W/4ft	AC100-277/220-480V	140	7,000	>70	2200K-7000K
EX-60W R4YZDA	2×30W/4ft	AC100-277/220-480V	140	8,400	>70	2200K-7000K

## LED Explosion Proof Light - R Series

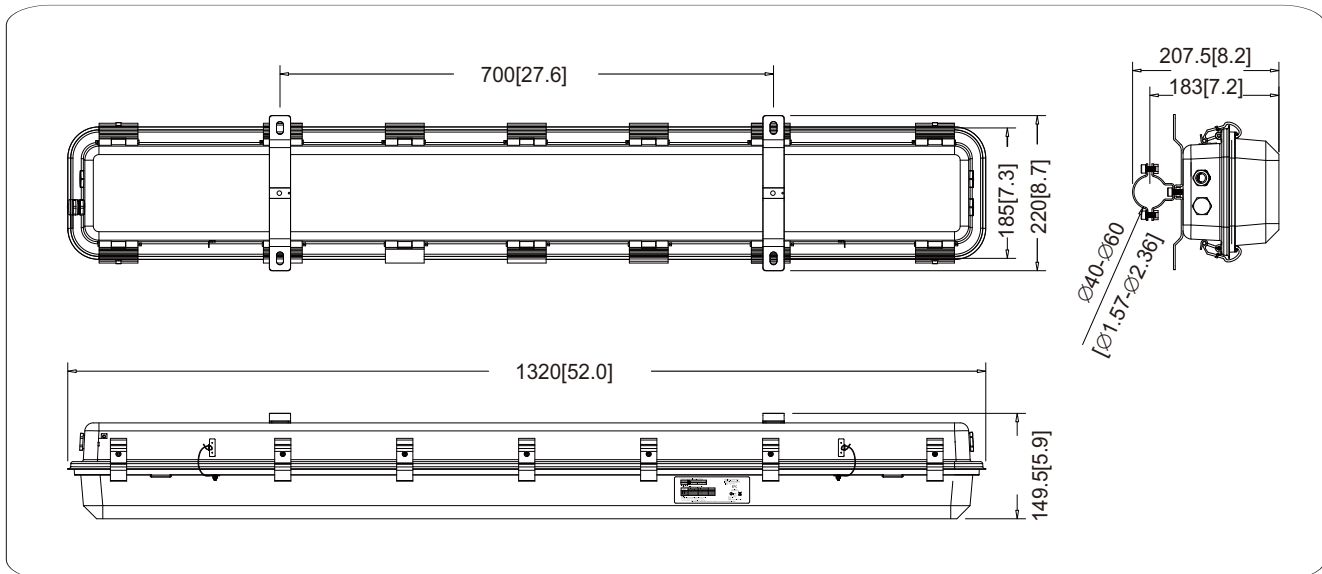
Dimensions & Packing Information:

Unit: mm [inch]

**R2**



**R4**

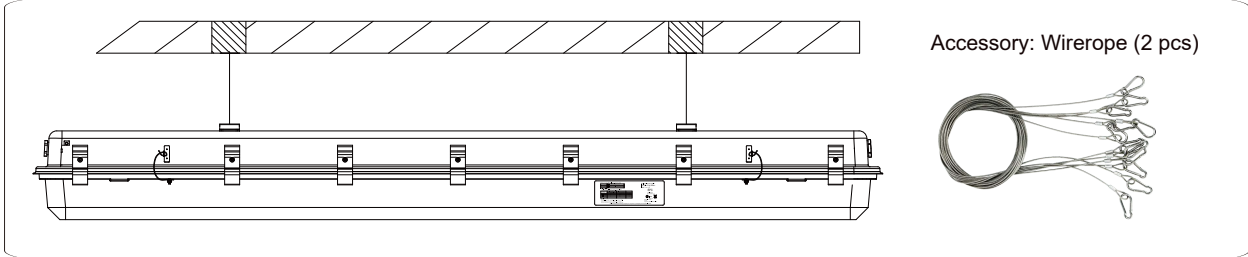


Model	Quantity/Carton	Packing Size	Net Weight	Gross Weight
R2	1 PC	800x250x170mm [31.5x9.84x6.7inch]	4 kgs/ 8.82 lb	5 kgs/ 11.02 lb
R4	1 PC	1400x250x175mm [55.12x9.84x6.89inch]	8 kgs/ 17.64 lb	10.7 kgs/ 23.59 lb

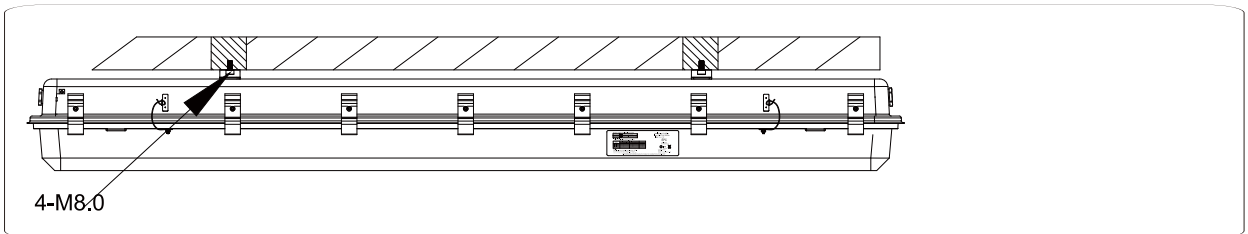
**Mounting:**

Unit: inch

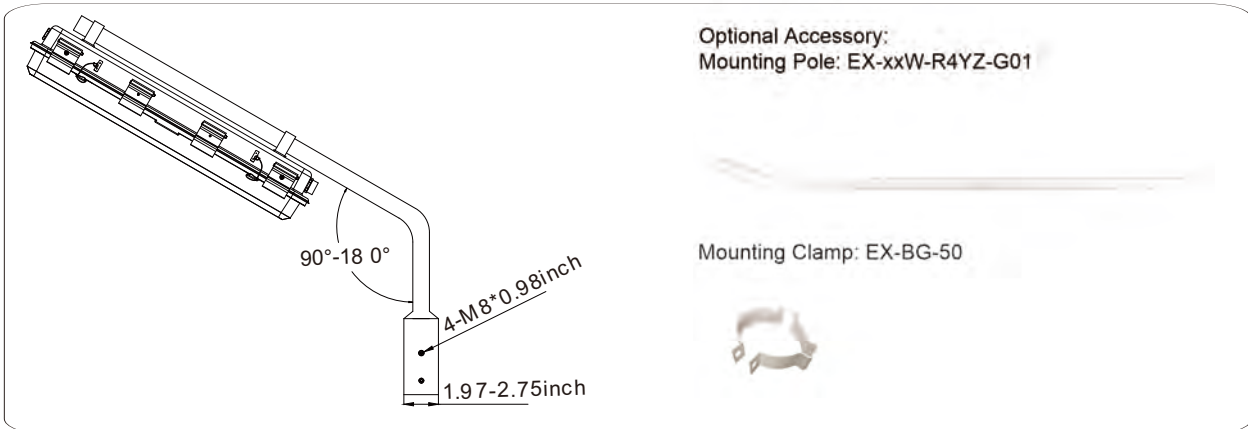
◆ **Pendant Mounting (default mounting):**



◆ **Surface Mounting (default mounting)**



◆ **Pole Mounting:**



**Photometry:**

Beam angle: 120°

