

VOLTUS

INDUSTRIAL /MANUFACTURING HIGH BAY FIXTURE



Discover the precision and efficiency of the Voltus High bay fixture, specifically engineered for the demanding and nuanced applications of Industrial and Manufacturing environments. Designed with incremental adjustable modules, the Voltus allows for individual angling of each module to provide direct illumination of specific areas, such as kitting, repair benches, or storage areas

TECHNICAL DATA

WATTAGE OPTIONS	100/150/200/240/300/400/480W
LAMP LUMINOUS FLUX	160LM/W±5%
CRI	Ra>70/80
CCT OPTION RANGE	2700-6500K
OPERATING VOLTAGE	AC 90-305V, 50/60Hz >0.95 347/480V (Option available)
BEAM PATTERN OPTIONS	60°/120°(100/150/200/240W) 30°/60°/90°/120°(300/400/480W)
IP RATING	IP65
HEAT-SINK	6061 ALUMINIUM
OPERATING TEMP	-40°C~ 60°C -40°F~ 140°F

CERTIFICATIONS



PS
E



ETL
Intertek



SAA
APPROVALS



CE



UKAS
QUALITY
MANAGEMENT
ISO 9001:2015



DLC

RoHS

WATTAGE OPTIONS

100W

16,000LM

4.5KG

429×429×159MM

10LBS (~17"×17"×6.25")

150W

24,000LM

4.5KG

429×429×159MM

10LBS (~17"×17"×6.25")

200W

32,000LM

5.3KG

429×429×159MM

12LBS (~17"×17"×6.25")

240W

38,400LM

5.3KG

429×429×159MM

12LBS (~17"×17"×6.25")

300W

48,000LM

7.1KG

429×429×225MM

15.5LBS (~17"×17"×9")

400W

64,000LM

7.4KG

429×429×225MM

16.5LBS (~17"×17"×9")

480W

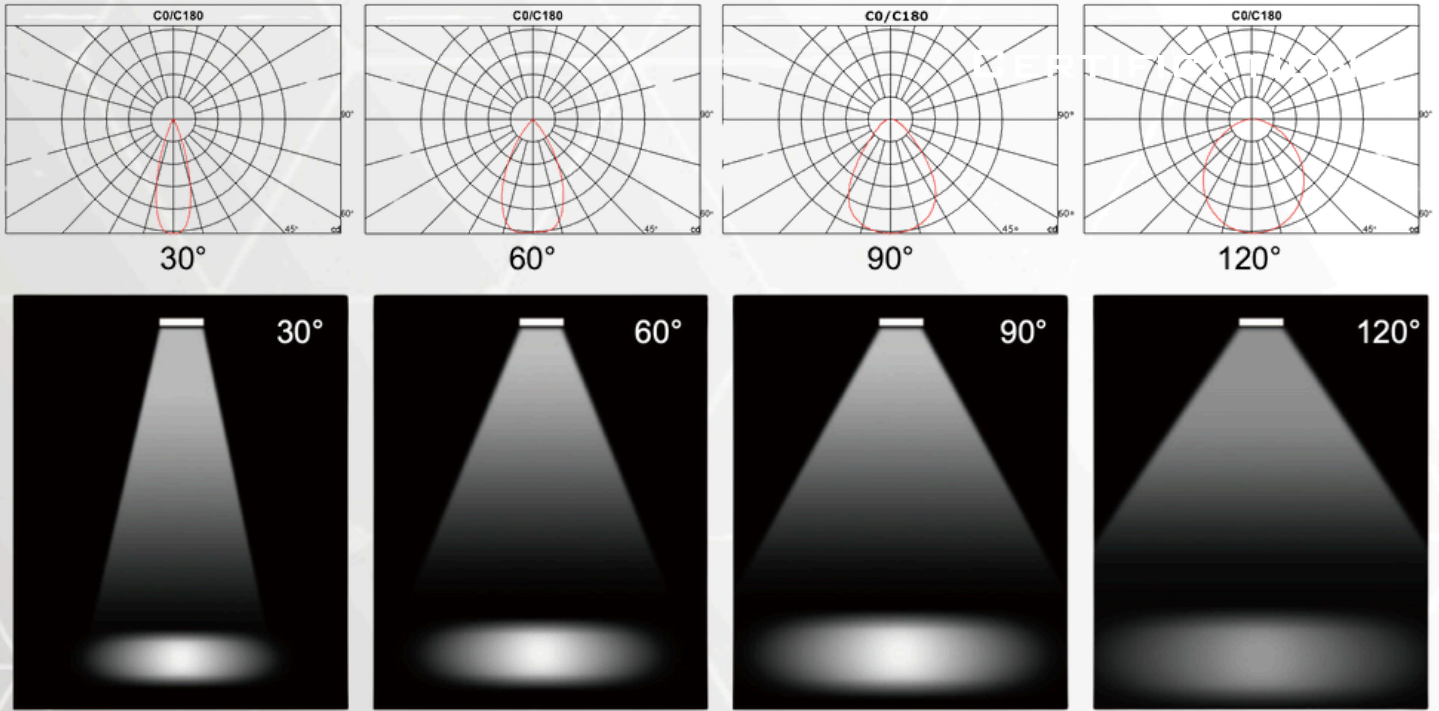
76,800LM

7.4KG

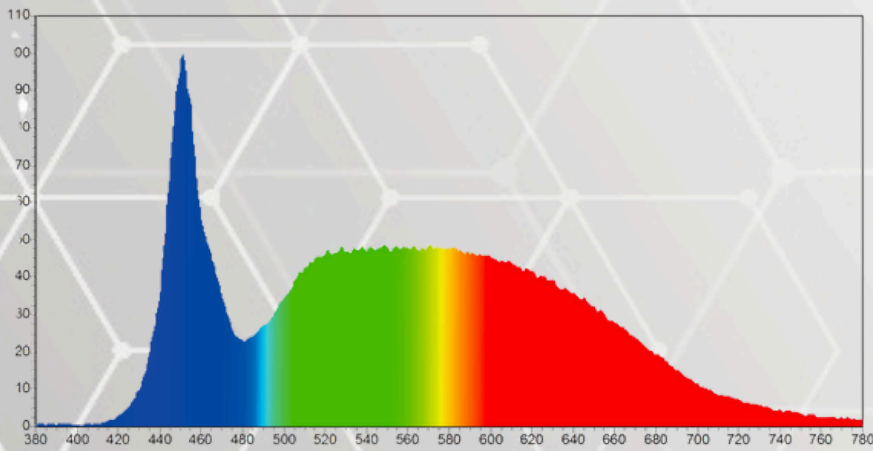
429×429×225MM

16.5LBS (~17"×17"×9")

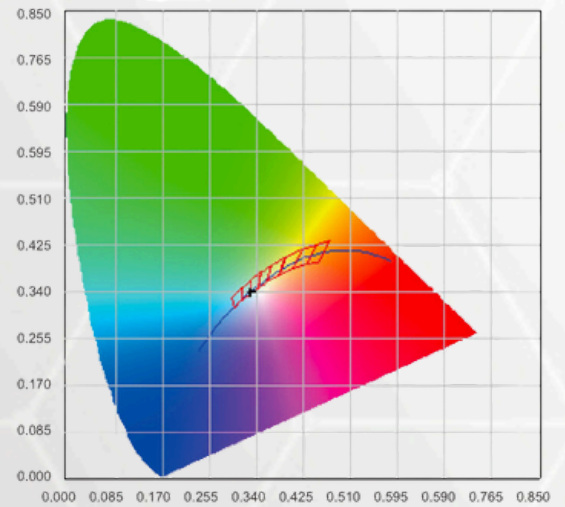
LIGHT DISTRIBUTION CURVE



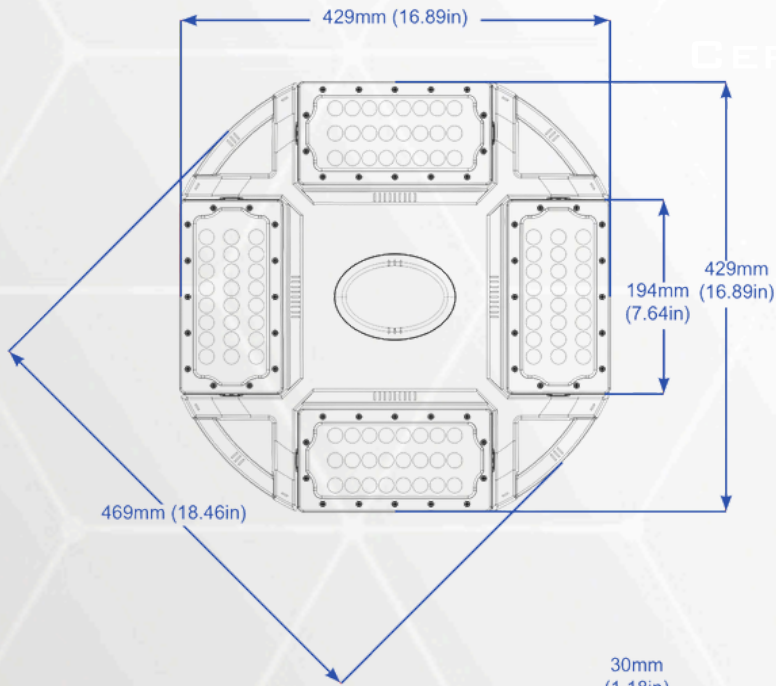
INTERGRATING SPHERE TEST REPORT 4BAY-200W-5000K



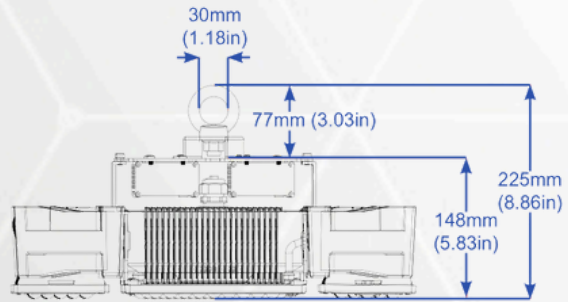
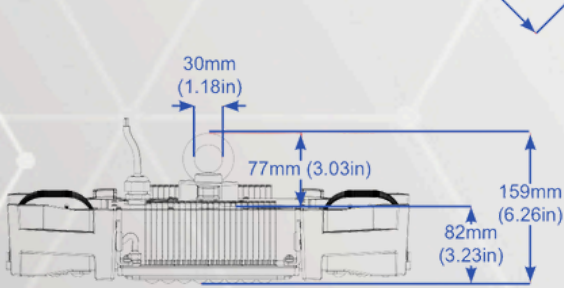
Wavelength/nm



SIZE

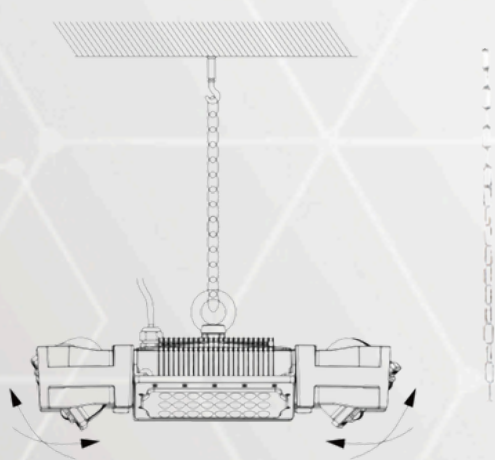


CERTIFIED



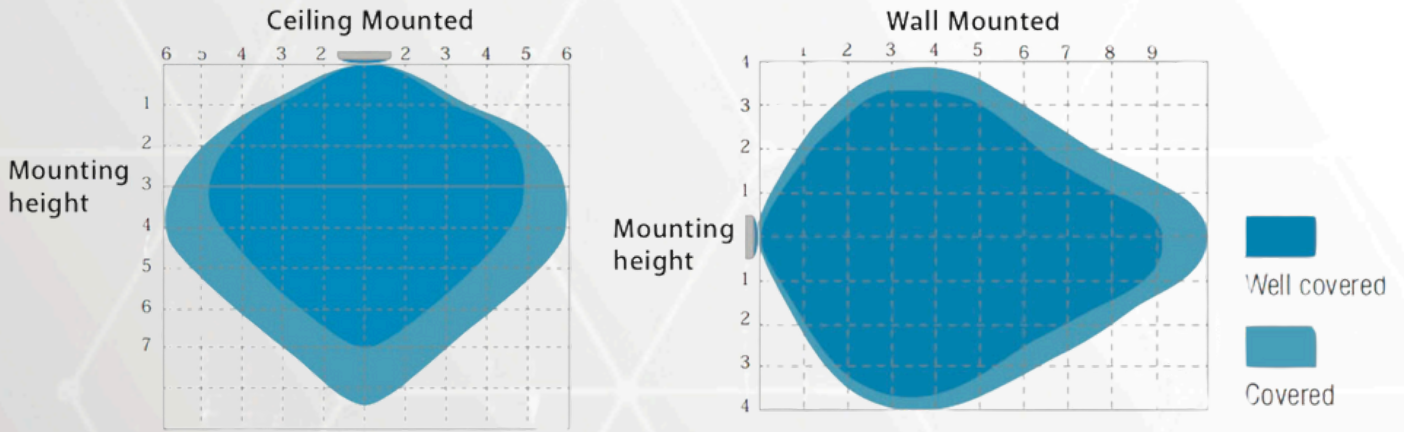
EXTENSION ALUMINIUM POLE

IRON CHAIN



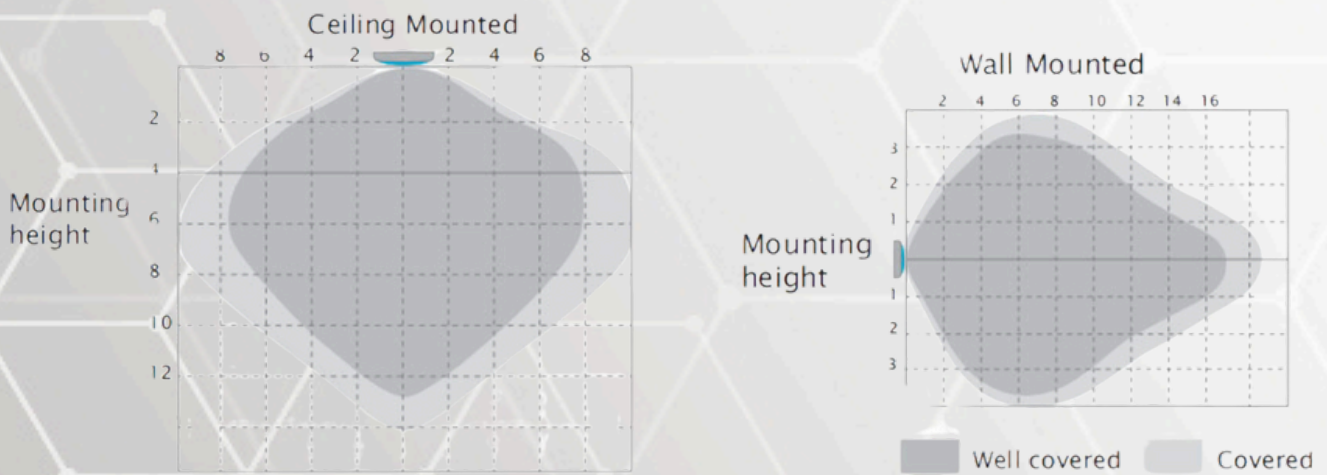
DETECTION COVERAGE

Option Sensor Type A: On/Off. (DISTANCES IN METERS)



Option Sensor Type B: with Dimming function.

This figure indicates the maximum distance at the highest mounting height with 100% sensitivity



HERE ARE THE SETTINGS ON THE SENSOR.



●	●	100%
●	○	75%
○	●	50%
○	○	10%

●	●	●	5s
○	●	●	30s
●	●	○	60s
○	○	●	5min
○	●	○	10min
●	○	○	20min
○	○	○	30min

●	●	Disable
●	○	50lux
○	●	10lux
○	○	2lux

●	●	●	0s
○	●	●	10s
●	●	○	1min
○	○	●	10min
○	●	○	30min
●	○	○	60min
○	○	○	+∞

●	●	10%
●	○	20%
○	●	30%
○	○	50%

Detect on area

In this area, movement will be detected and able to trigger the sensor 100% detection area is also known as the strong sensitivity.

Hold-time

The period of light keeping 100% brightness after moving objects leave the detection area.

Daylight threshold

Definition of the ambient brightness; only when the ambient brightness is lower than the preset specific lux amount, the sensor will work; when it's preset as "disable", the sensor works everytime it detects motion regardless the ambient brightness.

Stand-by period

The period of light keeping low output before it's completely switched off. When it's preset as "∞", the light always keep at low output if no movement in the detection area and doesn't turn off.

Stand-by dimming level

The definition of low output in the standby period.