

OMEGA SERIES



The Omega Series LED luminaire is the ideal choice for marine and hazardous applications. They can be used in locations where moisture, dirt, dust, corrosion and vibration may be present, or areas where wind, water, snow or where high ambient temperatures can be expected.

Great reliability with waterproof and dust-proof design, no need for internal cleaning and maintenance. Compact structure and small size, ideal for use in various places where extra light is required.

FEATURES

- Three mount structures optional: Ceiling, Pole, Wall
- Copper-free aluminum housing, great corrosion resistance and cooling performance
- Compact structure, small size and light weight for easy installation
- Chip on board COB, correlated color temperature (CCT) of 3000K to 6500K (>70 CRI)
- Three options of length: Long, Medium, Short
- Diffuser made of tempered glass for maximum resistance to impact and thermal shock. Available with clear lens, frosted lens
- Metal guard included for additional protection

Long - globe guard Medium - flat guard Short - flat guard

IP 66 IK08 DIMMABLE 5 years warranty 100 lmW

CERTIFICATIONS



COMPLIANCE

- UL 844 Hazardous Locations
- Class I Division 2, Group A, B, C, D
- Class II Division 1, Group E, F, G
- Class II Division 2, Group F, G
- Class III
- UL 1598 Wet Locations
- UL 1598A Marine Outside Type
- UL 8750 LED Safety
- UL 924 Emergency Lighting
- ABS
- CSA (Certificate: 80070037)
- DLC*
- IP66
- IK08

APPLICATION

- Power Plants
- Heavy Industrials Storage Facility • Paper mills
- Wastewater Treatment Plants
- Loading Dock Platforms
- Chemical Processing Facility
- Petrochemical Processing Facility
- Coal Mines

WARRANTY

5-Year Standard Warranty



ELECTRICAL

Specification	OS-10	OS-20	OS-30
Rated Power	10W	20W	30W
Input Voltage	100-277VAC		
Input Frequency	50/60Hz		
Power Factor	> 0.95		

OPTICAL

Specification	OS-10	OS-20	OS-30
Lumen Output	1000lm	2000lm	3000lm
Lumens Per Watt	100lm/W		
CCT	3000K-6000K		
CRI	> 70		
Dimming	0-10V dimming (optional)		
Beam Pattern	120°		

ENVIRONMENTAL

Ambient Temperature - Normal	T6/T80°C: -40°C to +25°C (-40°F to +77°F); T5/T95°C: -40°C to +40°C (-40°F to +104°F); T4/T130°C: -40°C to +60°C (-40°F to +140°F)
Ambient Temperature - Emergency	T4/T130°C: -10°C to +40°C (14°F to +104°F)



MECHANICAL

Housing Material	Copper-free aluminum
Diffuser	Tempered glass (both frosted and clear are available)
Protection	IP66/IK08
Mounting	Ceiling, Pole, Wall
Outlet	Regular 1 meter
Cable Entries	There are four cable entries are at side wall of luminaire housing which are used to install M25, M20, NPT 1/2" or NPT 3/4" certified cable glands or stopping plugs with suitable IP code.

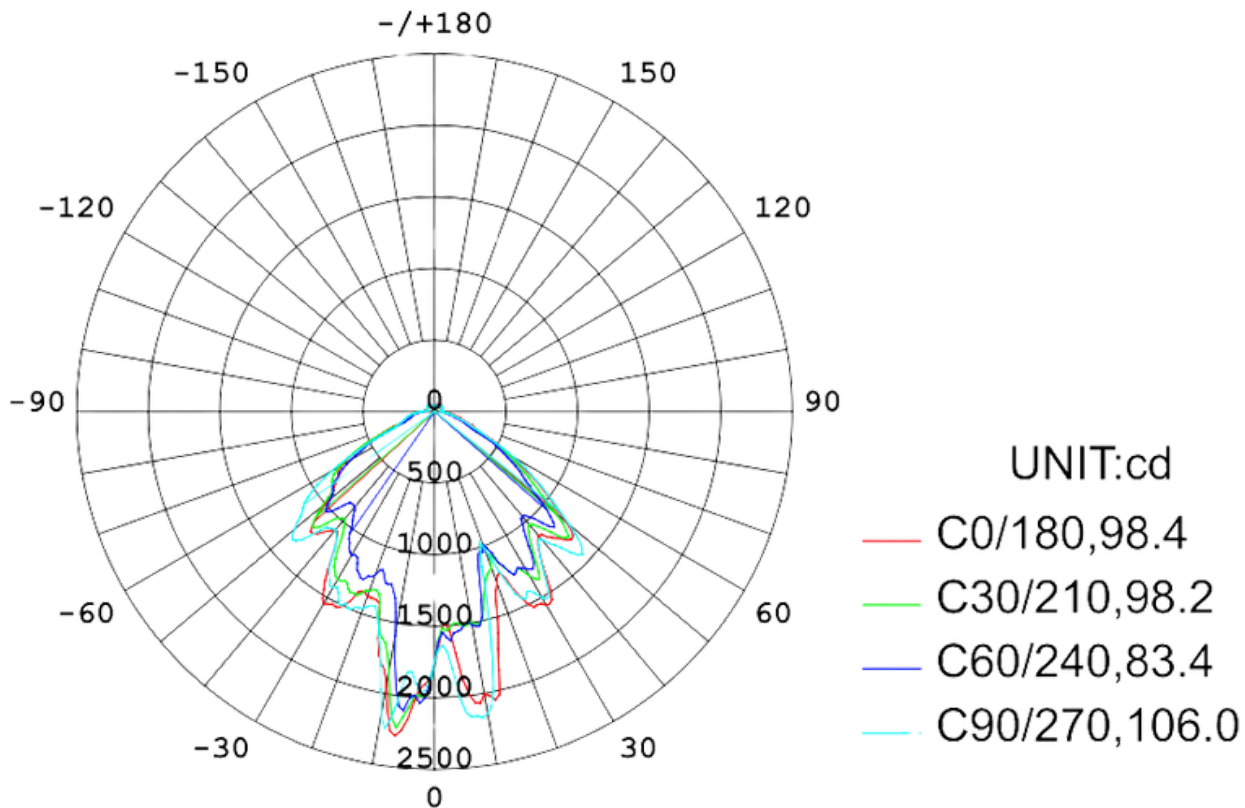
WARRANTY & LIFESPAN

Warranty	5-Year Standard Warranty
Lifespan	LED lumen Maintenance: L70> 150,000 Operation Hours@55°C

PACKING INFORMATION

Model	Image	Net Weight	Gross Weight	Quantity/Carton	Package Dimensions (LxWxH)
O (with Globe Guard; Top Suction Installation)		5.95 lb 2.69kg	7.06 lb 3.20kg	1 pc	14.56x10.63x9.45inch 36.98x27x24cm
O (with Globe Guard; 90 Degree Wall Mounting)		8.16 lb 3.70kg	9.26 lb 4.20kg	1 pc	16.54x13.39x9.45inch 42.01x34.01x24cm
O (with flat guard)	/	4.41 lb 2kg	5.51lb 2.49kg	1 pc	10.43x14.96x10.04 inch 26.49x37.99x25.50cm

PHOTOMETRIC

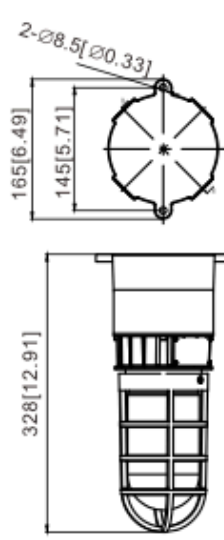
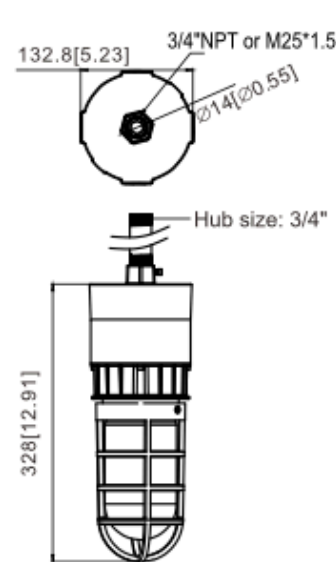
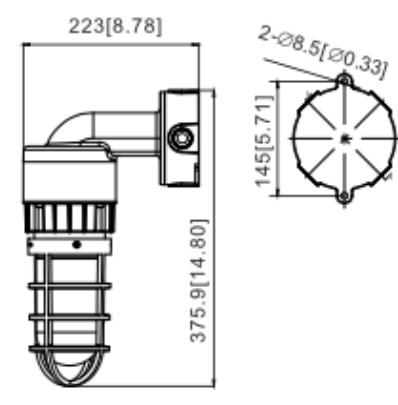
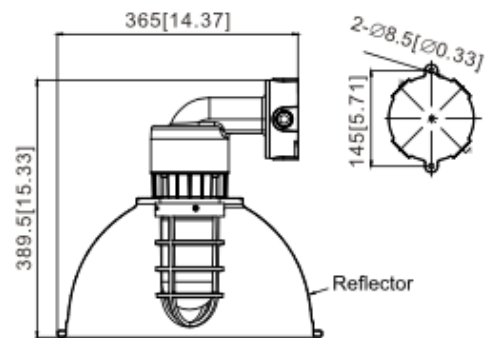


AVERAGE BEAM ANGLE(50%):96.5 DEG

PRODUCT DIMENSIONS

Ceiling Mount - Long	Pole Mount - Long	90 Degree Wall Mount - Long
<p>165 [6.49] 145 [5.71] 276.5 [10.88] 2-Ø8.5 [Ø0.33] M5*15mm socket head screw</p>	<p>132.8 [5.23] 276.5 [10.88] 3/4" NPT or M25*1.5 Ø14 [Ø0.55] Hub size: 3/4"</p>	<p>223 [8.78] 325.9 [12.83] 145 [5.71] 2-Ø8.5 [Ø0.33] Wall</p>
90 Degree Wall Mount with Reflector - Long		
<p>365 [14.37] 339.5 [13.36] 145 [5.71] 2-Ø8.5 [Ø0.33] Reflector</p>		
Ceiling Mount - Medium	Pole Mount - Medium	90 Degree Wall Mount - Medium
<p>145 [5.71] 203.5 [8.01] 80 [3.15]</p>	<p>Ø130 [Ø5.12] 221.5 [8.72]</p>	<p>223 [8.78] 248.5 [9.78] 145 [5.71] 2-Ø8.5 [Ø0.33]</p>
Ceiling Mount - Short	Pole Mount - Short	90 Degree Wall Mount - Short
<p>145 [5.71] 143.5 [5.65]</p>	<p>Ø130 [Ø5.12] 161.5 [6.36]</p>	<p>223 [8.78] 188.5 [7.42] 145 [5.71] 2-Ø8.5 [Ø0.33]</p>












OMEGA SERIES

Ceiling Mount - Long	Pole Mount - Long	90 Degree Wall Mount - Long
		
		90 Degree Wall Mount with Reflector - Long
		

SPARE PARTS

Heat Sink	Extension	Main Part	Reflector	Clear
				
Long Globe Glass	Midium Globe Glass	Globe Guard	Flat Guard	
				

MOUNTING METHODS AND ACCESSORIES

Ceiling Mount	Pole Mount	90 Degree Wall Mount	Reflector Available
		 <p>Short Long</p>	
<p>Ceiling Mount Cap</p>   <p>Exterior Interior</p>	  <p>Pole (ordered separately) Pendant</p>	 <p>Wall Elbow</p>	  <p>Wall Elbow Reflector</p>

ORDERING SHEET

OMEGA SERIES/ WATTAGE	VOLTAGE	COLOR (CCT)	BEAM PATTERN	DIMMING	LENS	LENS GUARD	MOUNTING TYPE	EXTRAS - PLEASE PROVIDE SPECIFICS
OS 10	(1) 100-277VAC	(1) 3000K	(1) 120°	(1) No	(1) FROSTED	(1) LONG	(1) CEILING	
OS 20		(2) 4000K		(2) YES	(2) CLEAR	(2) MEDIUM	(2) POLE	
OS 30		(3) 5000K				(3) SHORT	(3) 90° WALL	
		(4) 6000K						